

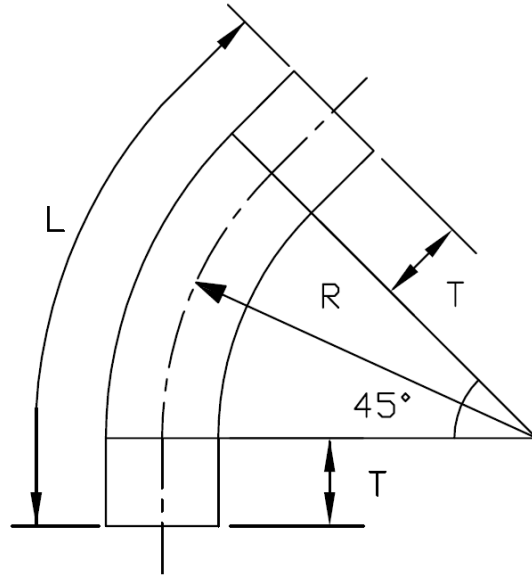


PVC Fittings and Elbows

45° Schedule 40 Elbow



1/2", 3/4", 1", 1-1/4", 1 1-2", 2", 2-1/2", 3", 4"



<u>Size</u>	<u>Cat No</u>	<u>Radius</u>	<u>Leg Length (T)</u>	<u>Total Length (L)</u>	<u>Box Quantity</u>
1/2"	P0545S40K	4.0"	1.50"	6.0"	50
3/4"	P0745S40K	4.50"	1.60"	6.75"	50
1"	P1045S40K	5.75"	2.0"	8.75"	50
1-1/4"	P1245S40K	7.25"	2.25"	10.125"	35
1-1/2"	P1545S40K	8.25"	2.25"	11.125"	20
2"	P2045S40K	9.50"	2.25"	11.75"	15
2-1/2"	P2545S40K	10.50"	3.0"	14.188"	20
3"	P3045S40K	13.0"	3.5"	17.25"	10
4"	P4045S40K	16"	3.5"	19.875"	126

Technical Data:

- Schedule 40 PVC Elbows
- Suitable for Indoor, Outdoor, and Burial Use
- UL and CSA Listed
- Construction of Rigid PVC
- All Elbows are Standard Radius
- Conforms to UL 651